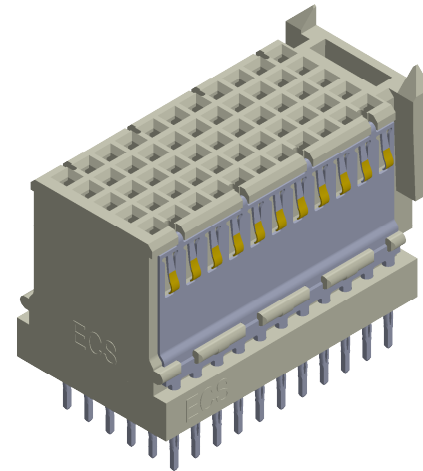
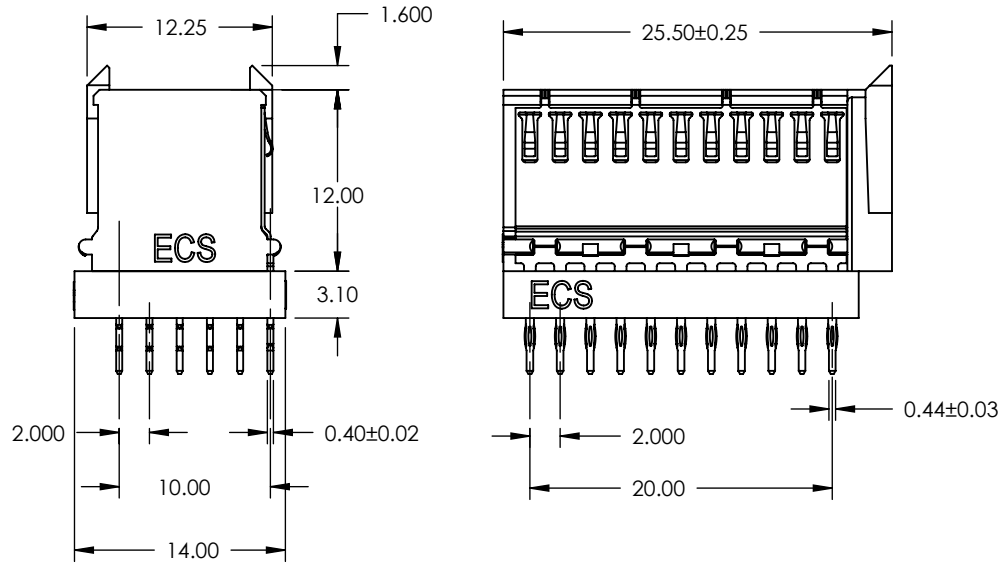
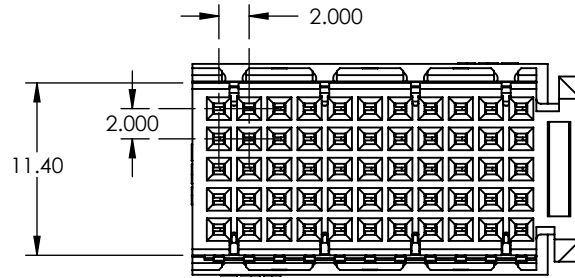


REVISIONS			
REV.	DESCRIPTION	DATE	APPROVED
B	ADDED NOTE 11	2/1/2018	CB
C	UPDATED OVERALL DIM WAS 25.00 IS 25.50	3/4/2018	CB

- NOTES:
- MATERIAL:
HOUSING: THERMOPLASTIC(94V-0) COLOR: NATURAL
CONTACT: COPPER ALLOY
 - FINISH:
CONTACT ZONE: GOLD
PRESS FIT ZONE: MATTE TIN
PERFORMANCE: CLASS 2: 250 CYCLES
 - MAX SOLDERING TEMPERATURE: 225°C
 - INSULATION RESISTANCE: 10,000 MEGOHMS MIN.
 - DIELECTRIC WITHSTANDING VOLTAGE (AT SEA LEVEL): 750 Vrms
 - CURRENT RATING: 1 AMP AT 70°C, FULLY LOADED
1.5 AMP AT 20°C FULLY LOADED
 - OPERATING TEMPERATURE RANGE: -55°C TO +125°C
 - CONTACT RESISTANCE: 20 MILLIOHMS MAX.
 - PCB HOLE SIZE REQUIREMENTS:
DRILLED HOLE DIAMETER: 0.70 ±.02mm
FINISHED HOLE DIAMETER: 0.60 ±.05mm
 - UL FILE NUMBER: E176234; IEC 61076-4-101 HARD METRIC
 - RECOMMENDED ECS SEATING TOOL: P/N 71-C11V-S1PT
 - CONTACTS LUBRICATION: Miller Stephenson MS-124 or Equivalent

B

B



A

A

	EMAIL: custsvc@ecscconn.com
	Orange County, California Phone: (714) 750-9410

THIS DRAWING IS SUBJECT TO CHANGE WITHOUT NOTICE		DRAWN BY: CT	DATE: 02.16.17	DESCRIPTION:	
DIMENSIONS: mm	UNLESS OTHERWISE SPECIFIED: TOLERANCE: .00 ±.10 .000 ±.05	CHECKED BY:	APPROVED BY:	VERTICAL FEMALE TYPE C 2mm HM 55 CONTACTS WITH 11X1 SHIELD	
THIS DRAWING AND SPECIFICATION HEREIN, ARE THE PROPERTY OF ECS, AND SHALL NOT BE REPRODUCED OR COPIED OR USED IN WHOLE OR IN PART AS THE BASIS FOR THE MANUFACTURE OR SALE OF ITEMS WITHOUT WRITTEN CONSENT OF ECS.		SIZE: A	PART NUMBER: 71-C11V-110-1102		REV. C
SCALE: NONE					